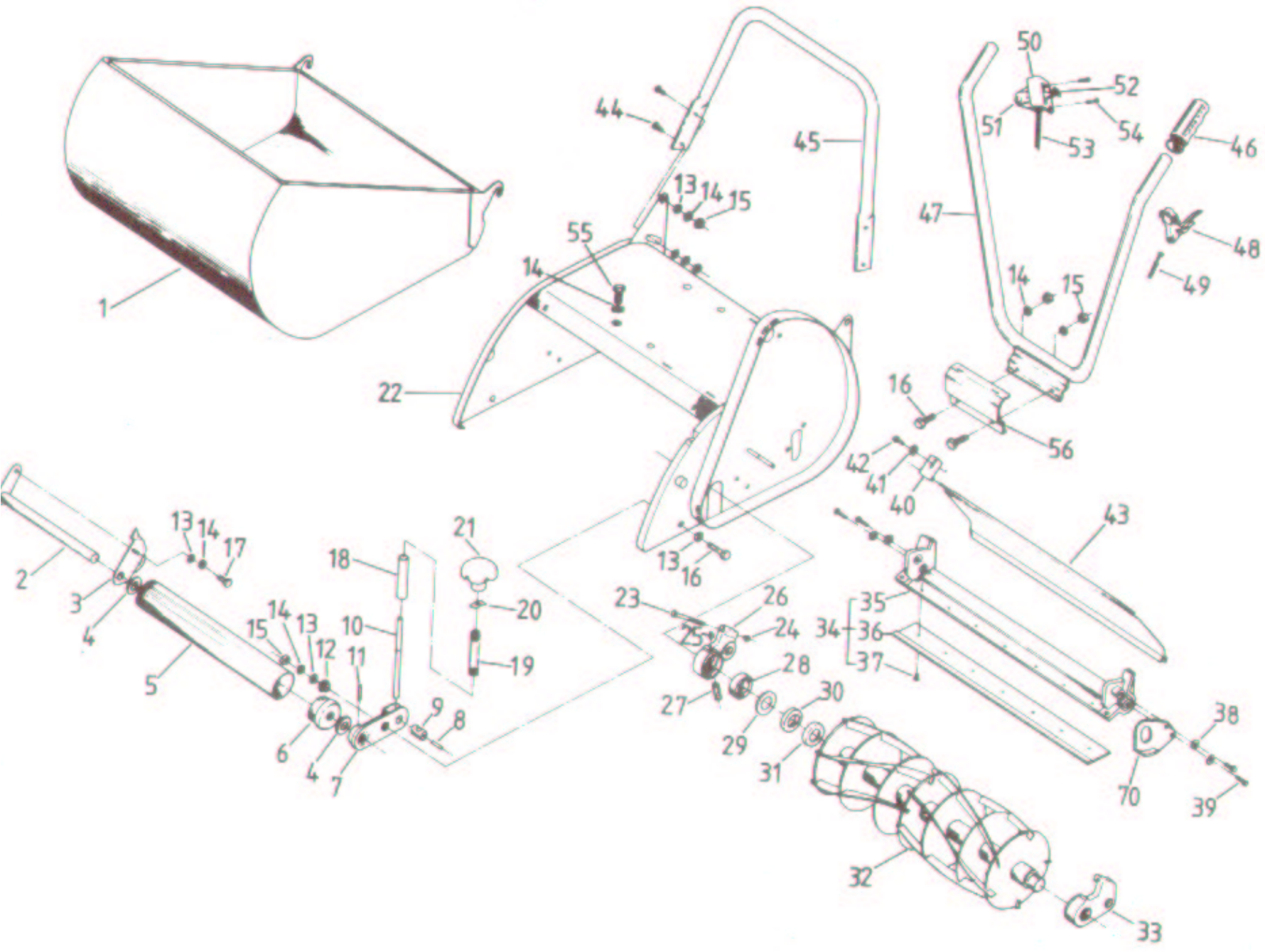


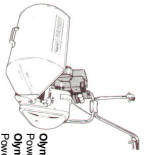
Olympic 400, 500
Powered by Briggs & Stratton Type 80202
Olympic 600
Powered by Briggs & Stratton Type 112232

Masport®

OLYMPIC MK I
MODELS 400, 500, 600



When ordering PLEASE QUOTE PART NUMBER & Description, NOT Illustration No.
Determine right or left hand side from standing in operating position (standing at handle)

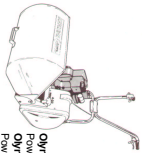


Olympic 400, 500
 Powered by Briggs & Stratton Type 8020Z
 Olympic 600
 Powered by Briggs & Stratton Type 11223Z

Masport®

OLYMPIC MK I
MODELS 400, 500, 600

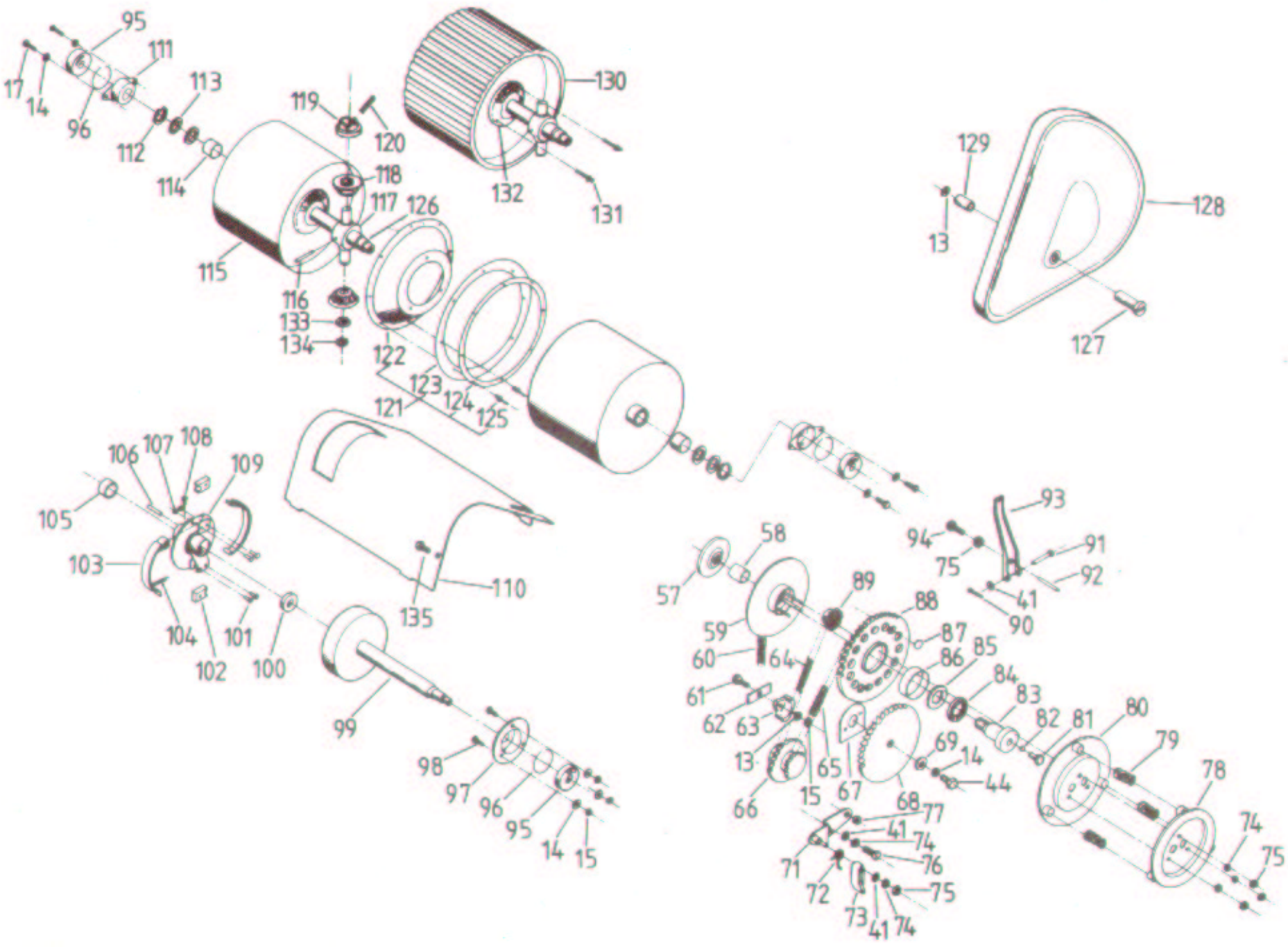
Item No	Part No	Description	Qty	Item No	Part No	Description	Qty
1	002608	Catcher - 400	1	32	008924	Reel - 400	1
1A	002687	Catcher - 500	1	32A	008970	Reel - 500	1
1B	002953	Catcher - 600	1	326	008980	Reel - 600	1
2	004976	Front Roller Spindle Assy - 400	1	33	002573	Housing LH	1
2A	004977	Front Roller Spindle Assy - 500	1	34	009853	Blade & Bracket Assy - 400	1
2B	004978	Front Roller Spindle Assy - 600	1	34A	009855	Blade & Bracket Assy - 500	1
3	004983	Bracket RH	1	34B	009856	Blade & Bracket Assy - 600	1
4	002738	Washer	2	35	009861	Bracket - 400	1
5	005475	Shell Front Roller - 400	1	35A	009862	Bracket - 500	1
5A	005476	Shell Front Roller - 500	1	35B	009863	Bracket - 600	1
5B	005477	Shell Front Roller - 600	1	36	009872	Blade - 400	1
6	005478	End Caps	2	36A	009873	Blade - 500	1
7	004984	Adjusting Bracket	1	36B	009874	Blade - 600	1
8	007493	Pin 5/32" X 3"	1	37	008611	Screw	10
9	004990	Trunion	1	38	006174	Spring Washer	4
10	004988	Spindle Adjuster	1	39	006319	Screw	4
11	007496	Tension Pin	1	40	002589	Bracket	2
12	004991	Pivot	2	41	006072	Washer	4
13	006073	Washer	10	42	006219	Screw	2
14	006173	Spring Washer	21	43	008900	Chute - 400	1
15	006501	Nut	16	43A	008901	Chute - 500	1
16	006272	Screw	5	43B	004916	Chute - 600	1
17	006270	Screw	1	44	006271	Bolt	6
18	004989	Spacer	1	45	004935	Handle Lower - 400	1
19	004691	Spring	1	45A	004936	Handle Lower - 500	1
20	004973	Slipper Plate	1	456	004937	Handle Lower - 600	1
21	004992	Handwheel	1	46	002847	Grip	2
22	005465	Chassis - 400	1	47	004931	Handle Upper	1
22A	005466	Chassis - 500	1	48	002694	Lever	1
226	005467	Chassis - 600	1	49	004792	Clutch Cable	1
23	006282	Bolt	2	50	003960	Remote Control Cover	1
24	007240	Nut - Nyloc	2	51	980472	Lever and Base Assy	1
25	007060	Grease Nipples	2	52	580471	Control Knob	1
26	002576	Housing RH	1	53	017013	Remote Control Cable	1
27	002581	Spring	2	54	007186	Screw	2
28	000405	Bearing	2	55	006298	Screw	4
29	002616	Washer	2	56	004939	Clamp	1
30	002583	Felt Seal	2				
31	005211	End Cover	2				

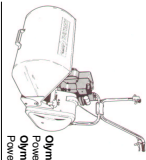


Olympic 400, 500
Powered by Briggs & Stratton Type 80202
Olympic 600
Powered by Briggs & Stratton Type 112232

Masport®

OLYMPIC MK I
MODELS 400, 500, 600





Olympic 400, 500
 Powered by Briggs & Stratton Type 80202
 Olympe 600
 Powered by Briggs & Stratton Type 112232

Masport®

OLYMPIC MK I
MODELS 400, 500, 600

Item No	Part No	Description	Qty	Item No	Part No	Description	Qty
57	002626	Spacer	1	106	007521	Key	1
58	007617	Bush	1	107	007131	Washer	4
59	004997	Clutch Centre Assy	1	108	007104	Screw	1
60	004929	Chain Clutch - Rear Roller	1	109	005633	Clutch Drive Assy - 400, 500	1
61	002848	Adjuster Bolt	1	109A	008721	Clutch Drive Assy - 600	1
62	002845	Plate Seal	1	110	005452	Cover Transmission - 400	1
63	002844	Chain Adjuster	1	110A	005453	Cover Transmission - 500	1
64	002835	Chain Primary	1	110B	005454	Cover Transmission - 600	1
65	004299	Chain Reel To Clutch	1	111	000409	Housing	2
66	004298	Sprocket Reel	1	112	007260	Circlip	2
67	002618	Plate Seal Rear Roller	1	113	002732	Washer	6
68	002604	Sprocket Rear Roller	1	114	000273	Bush	2
69	002757	Spacer	1	115	002698	Roller Half - 400	2
70	002561	Chaincase Seal Plate	1		002701	Roller Half - 500	2
71	004942	Plate Mount Assy	1		002965	Roller Half - 600	2
72	004945	Spring	1		008950	Roller Complete - 400	1
73	004963	Chain Adjuster	1		002425	Roller Complete - 500	1
74	006172	Spring Washer	7		002426	Roller Complete - 600	1
75	006500	Nut	4	116	007494	Pin Tension	1
76	006220	Bolt	1	117	008943	Carrier	1
77	003831	Pivot Bush	2	118	002708	Pinion Bevelled	2
78	005007	Plate Outer	1	119	008944	Collar	2
79	002711	Spring	3	120	007473	Split Pin	2
80	005005	Operating Plate	1	121	002714	Seal Assy	1
81	002637	Rod Outer	1	122	004845	Carrier Seal	1
82	007420	Ball Bearing	1	123	004847	Seal Rear Roller	1
83	004996	Spindle	1	124	004846	Ring Seal Support	1
84	002719	Bearing Thrust	1	125	007303	Rivet	8
85	005060	Thrust Washer	1	126	004834	Spindle - 400	1
86	002631	Bush	1	126A	004835	Spindle - 500	1
87	002632	Insert - Clutch	15	126B	004837	Spindle - 600	1
88	003019	Sprocket Clutch	1	127	005577	Nut Cover	1
89	002818	Sprocket Drive	1	128	005012	Chain Case	1
90	007484	Pin Split	1	129	004905	Spacer	1
91	004958	Rivet	1	130	008713	Rear Roller Half (Rubbered) - 400	2
92	005009	Rod Inner	1		008873	Rear Roller Half (Rubbered) - 500	2
93	005017	Clutch Operating Lever	1		008874	Rear Roller Half (Rubbered) - 600	2
94	002625	Adjusting Screw	1		008953	Rear Roller Complete (Rubbered) - 400	1
95	007652	Bearing	3		008875	Rear Roller Complete (Rubbered) - 500	1
96	004292	Ring Spacer	3		008876	Rear Roller Complete (Rubbered) - 600	1
97	002834	Housing	1	131	007310	Rivet	6
98	006269	Screw	5	132	002707	Bevel Wheel	2
99	004804	Clutch Drum Assy - 400	1	133	002731	Washer	2
99A	004805	Clutch Drum Assy - 500	1	134	007261	Circlip	2
99B	004806	Clutch Drum Assy - 600	1	135	007197	Screw	2
100	007654	Bearing	1	136	006298	Screw	4
101	006721	Rivet	4				
102	004598	Block Rubber	2				
103	004586	Shoe Clutch	2				
104	005562	Spring	2				
105	004941	Spacer Crankshaft 78" - 400, 500	1	004803		Clutch Drive Assy 5/8" Complete	
105a	004572	Spacer Crankshaft 3/4" - 600	1	008710		Clutch Drive Assy 3/4" Complete	
				004995		Clutch Assy Complete	

NOT ILLUSTRATED

When ordering PLEASE QUOTE PART NUMBER & Description, NOT Illustration No.
 Determine right or left hand side from standing in operating position (standing at handle)